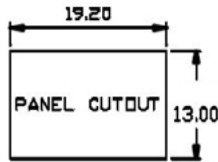
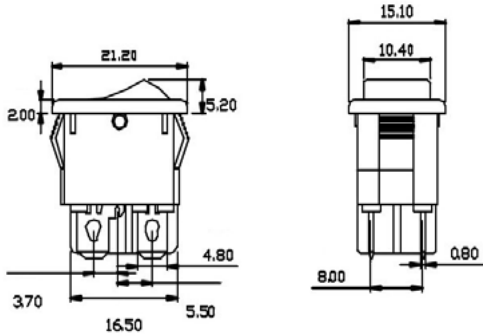


## Pushbutton Switches - Series R19 - Power Rocker Switch - Illuminated

Contact Rating 5A 250VAC, 10A 125VAC  
 Snap Mounting  
 Contact resistance <20mΩ  
 Electrical Life: 10,000 operations  
 Mechanical Life: 50,000 operations



SPST  
 Switch body black, rocker red  
 4.8mm QC terminals  
 Part Number 41-R19-001E6B

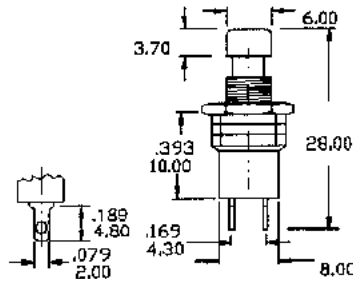
## Pushbutton Switches - Series R18 - Pushbutton Switches SPST

Contact Rating: 1 A @ 250V AC Resistive Load.

### Screw mounting – Round Miniature

Solder contacts  
 Panel Mount Hole Size 7.1mmØ

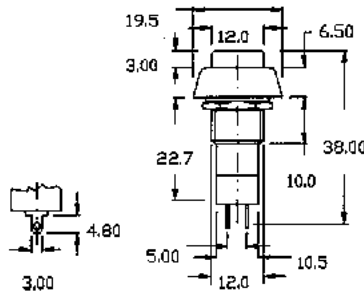
Part No	Type
41-R18-29ABLK	Off - (On)
41-R18-29ARED	Off - (On)
41-R18-30BBLK	On - (Off)
41-R18-30BRED	On - (Off)



### Screw mounting – Round

Solder contacts  
 Black body, red button  
 Panel Mount Hole Size 12.0mmØ

Part No	Type
41-R18-25ARED	Off - (On)
41-R18-25BRED	Off - (On)



### Snap-in mounting - Square

4.8mm QC connections

Part No	Type
41-R18-28ABLK	Off - (On)
41-R18-28ABLUE	Off - (On)
41-R18-28AGREEN	Off - (On)

