

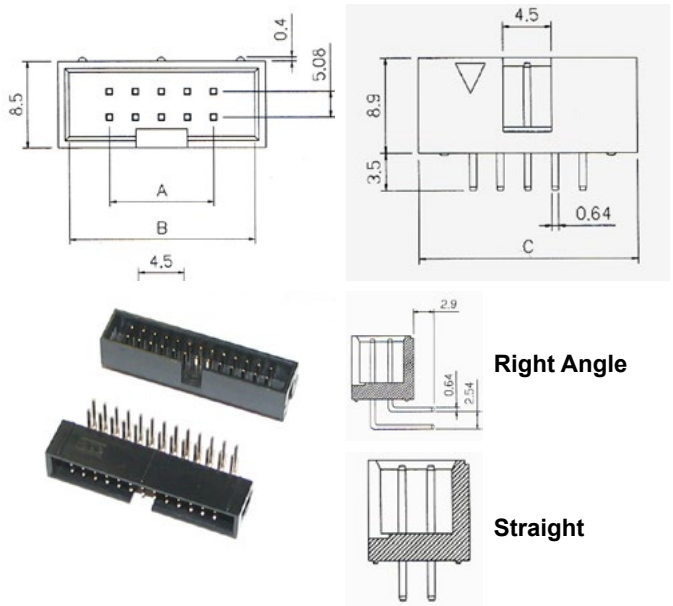
## Box Header 2.54mm pitch

- Brass Gold Plated Contacts.
- Current Rating: 1A
- Housing PBT 30% Glass UL94VO.
- Dielectric Strength: 500VAC for 1 min.
- Operating Temp. -55°C to +105°C.

Part No. 32-118 xx S or R  
xx = No of Contacts  
S = Straight  
R = Right Angle

### Dimensions

Positions	A	B	C
8	7.62	15.56	17.76
10	10.16	18.10	20.30
12	12.70	20.64	22.84
14	15.24	23.18	25.38
16	17.78	25.72	27.92
20	22.86	30.80	33.00
24	27.94	35.88	38.08
26	30.48	38.42	40.62
30	35.56	43.50	45.70
34	40.64	48.58	50.78
40	48.26	56.20	58.40
44	53.34	61.28	63.48
50	60.96	68.90	71.10
60	73.66	81.60	83.80
64	78.74	86.68	88.88



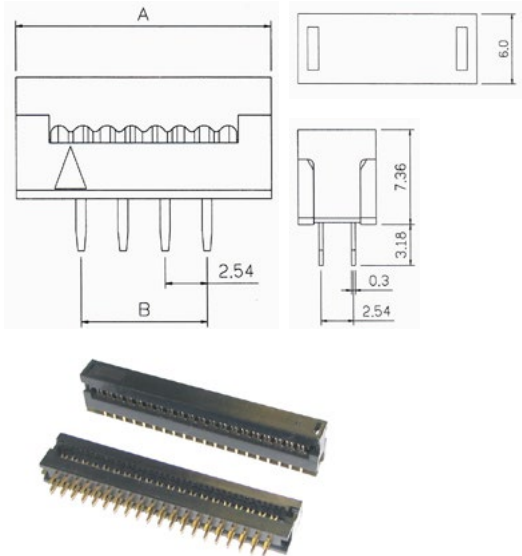
## DIP Transition - PCB to Ribbon. 2.54mm pitch

- Current Rating: 1A
- Contacts: Gold Plated Brass
- Housing: PBT 30% Glass UL94VO

Part No. 32-123 xx  
xx = No of Contacts

### Dimensions

Positions	A	B
8	15.48	7.62
10	18.02	10.16
12	20.56	12.70
14	23.10	15.24
16	25.64	17.78
18	28.18	20.32
20	30.72	22.86
24	35.84	27.98
28	40.88	33.02
30	43.42	35.56
34	48.50	40.64
40	56.12	48.26
50	68.82	60.96
60	81.52	73.66
64	86.60	78.74



## DIP Plug 2.54mm pitch

- Housing: PBT 40% Glass Fibre UL94VO.)
- Contacts: Phosphor Bronze
- Current Rating: 1A
- Contact Resistance: 30mΩ max at 100mA DC.
- Insulation Resistance: 1000mΩ min. at DC 500V
- Operating Temp. -55°C to +105°C.

Part No. 32-124 xx  
xx = No of Contacts

### Dimensions

Positions	A	B	C	D
8	7.62	14.60	7.62	10.60
10	10.16	16.96	7.62	10.60
14	15.24	22.74	7.62	10.60
16	17.78	25.12	7.62	10.60
18	20.32	26.74	7.62	10.60
20	22.86	29.74	7.62	10.60
24	27.94	35.00	7.62	10.60
28	33.02	40.10	7.62	10.60
40	48.28	55.20	7.62	10.60

