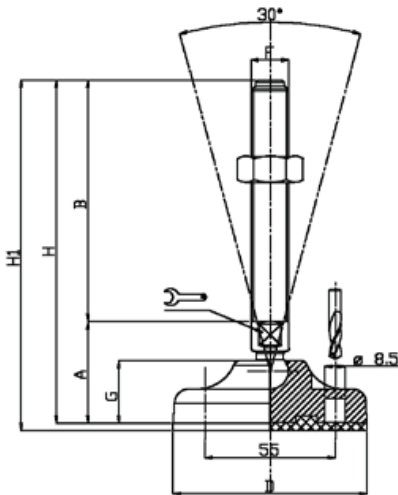


Plastic Line | Steel

Black Polyamide Plastic Base 83 Diameter - 30 Deg. Articulated Steel Screw

Static Load Newton M10-12 15000 M16-M20 20000 • 15 Socket • Non-Skid NBR Rubber 70 shore pads available

Part no. Base	Part no. Screw	Screw	S	B	D	Adjust	F	G	H
11-FBP15-83	11-ASS15-10-050	M10X50	38	50	83	14	M10	27	88
11-FBP15-83	11-ASS15-10-100	M10X100	38	100	83	14	M10	27	138
11-FBP15-83	11-ASS15-10-125	M10X125	38	125	83	14	M10	27	163
11-FBP15-83	11-ASS15-12-075	M12X75	38	75	83	14	M12	27	113
11-FBP15-83	11-ASS15-12-100	M12X100	38	100	83	14	M12	27	138
11-FBP15-83	11-ASS15-12-150	M12X150	38	150	83	14	M12	27	191
11-FBP15-83	11-ASS15-16-075	M16X75	38	75	83	16	M16	27	116
11-FBP15-83	11-ASS15-16-100	M16X100	38	100	83	16	M16	27	141
11-FBP15-83	11-ASS15-16-150	M16X150	38	150	83	16	M16	27	191
11-FBP15-83	11-ASS15-16-175	M16X175	38	175	83	16	M16	27	216
11-FBP15-83	11-ASS15-20-100	M20X100	41	100	83	17	M20	27	141
11-FBP15-83	11-ASS15-20-150	M20X150	41	150	83	17	M20	27	191
11-FBP15-83	11-ASS15-20-175	M20X175	41	175	83	17	M20	27	216
11-FBP15-83	11-ASS15-20-200	M20X200	41	200	83	17	M20	27	241
11-FBP15-83	11-ASS15-20-225	M20X225	41	225	83	17	M20	27	266



Two piece part
for assembly